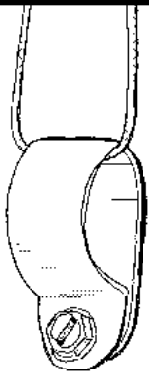


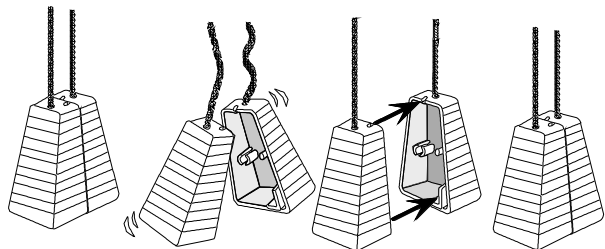
## ROLL-EASE™ SHADES

For safety, all Roll-Ease™ Shades include a tie-down to secure the cord or chain loop. After the shade is installed, the tie-down should be secured to the wall. The cord or chain should be loose enough to slide easily through the tie-down, yet tight enough to prevent children from becoming entangled in the loop.

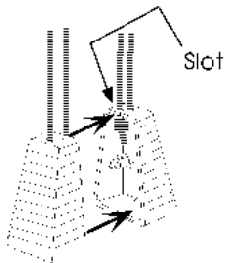


## BREAK-THROUGH TASSLE

The tassel is designed to break apart to protect children and pets. To reassemble, simply snap halves back together as shown.



To reassemble the four cord tassel, place loose cords in slot in top of tassel halves and snap back together.

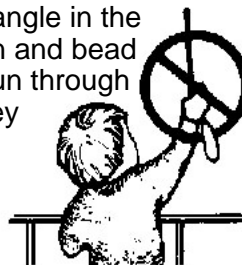


## GUARANTEE

Your Horizons™ Natural Shade is protected against defects in material to the original buyer for 3 years. All colors tend to lose their original intensity over time, and pull cords eventually wear out. This is considered normal wear and tear, and is not covered by this Guarantee. Abuse, misuse and improper installation are not covered. Finally, color lots vary and may not exactly match the sample in your sample book or a previously ordered shade. Repair is the purchaser's sole remedy under this guarantee. B&W cannot be responsible for any installation costs nor costs of incidental or consequential damages.

## ⚠ WARNING

Young children can strangle in the loop of pull cords, chain and bead cords, and cords that run through window coverings. They can also wrap cords around their necks.



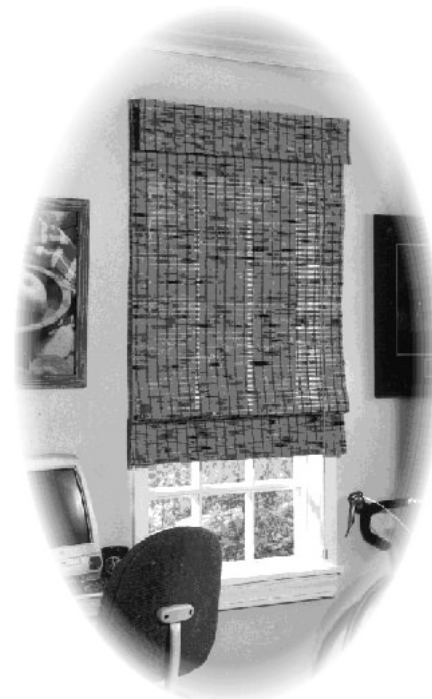
To avoid strangulation and entanglement, keep cords out of reach of young children. Also,

1. Install safety devices that remove the cord loop or reduce access to cords, and
2. Move cribs and furniture away from window covering cords.

## INSTALLATION INSTRUCTIONS FOR

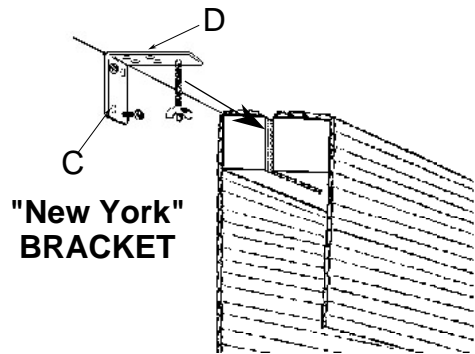
# HORIZONS™ Natural Shades

*By B&W Manufacturing*



Congratulations on the purchase  
of your new  
Horizons™ Natural Shade!

## "NEW YORK" BRACKET INSTALLATION



### "New York" BRACKET

#### 1. MOUNT BRACKETS:

The "New York" brackets can be used either for an inside or outside mount application.

Mount the brackets securely using the holes "C" for outside mounts or holes "D" for inside mounts. Screws provided are appropriate for wood installations, or use your own fasteners.

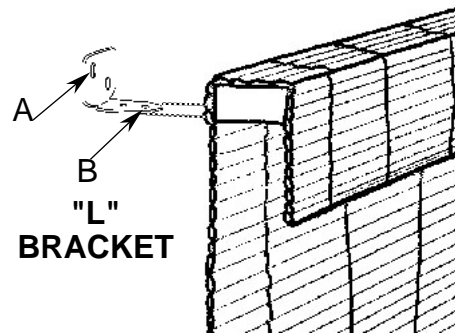
#### 2. PUT UP SHADES:

Remove the wing nuts from the "New York" brackets and slide the shade into position by sliding the shafts of the brackets into the slots cut into the top of the headrail.

#### 3. SECURE SHADE:

While holding up the shade, reattach the wing nuts to the "New York" brackets and tighten.

## "L" BRACKET INSTALLATION



### "L" BRACKET

#### 1. MOUNT BRACKETS:

The "L" brackets are intended for outside (frame or wall) mount only. The bracket is usually mounted with the prong at the bottom (as shown). However it may be mounted with the prong at the top if necessary. Mount the brackets securely using the holes "A". Screws provided are appropriate for wood installations, or use your own fasteners.

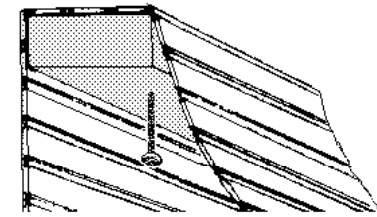
#### 2. PUT UP SHADES:

Slide the headrail of the shade into the brackets, guiding the prong between the slats and weaving cords. If weave weaving cords interfere, merely shift them to the side. **DO NOT CUT WEAVING CORDS!**

#### 3. SECURE SHADE:

Fasten shade to brackets with a screw inserted from below into hole "B."

## 2 or 3 INCH SCREW INSTALLATION



### 2 or 3 INCH SCREW

### 2 or 3 INCH SCREWS

Installation with 2 or 3 inch screws is intended for inside or ceiling mount only. No bracket is required.

1. INSERT MOUNTING SCREWS:  
With the shade down, insert the mounting screws from the bottom side of the headrail into the pre-drilled pilot holes.

#### 2. POSITION SHADE:

Hold the shades up and position it in the window opening. Drive the mounting screw up through the headrail right into inside of the window opening, soffit, or ceiling