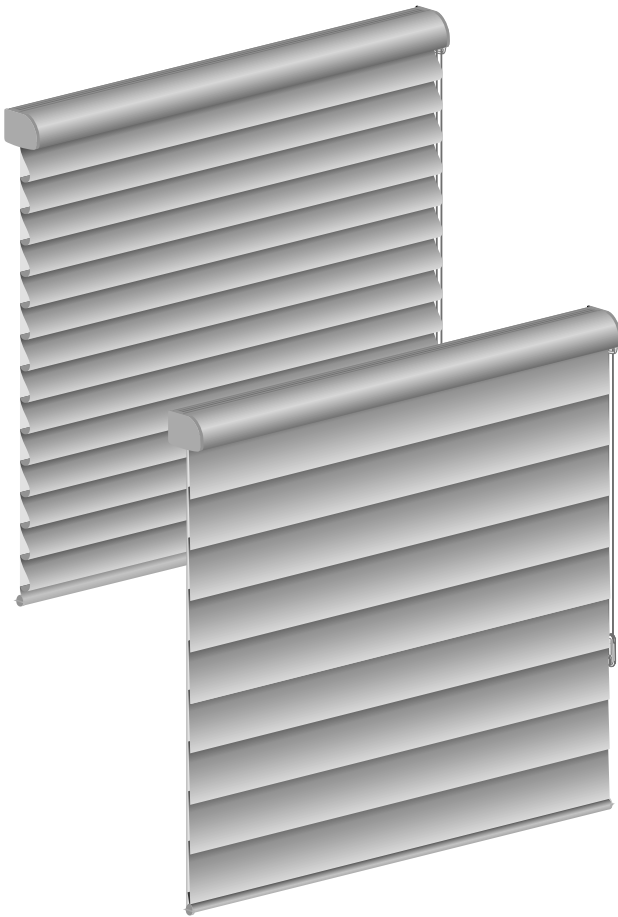


Installation And Care Instructions

Vignette® Modern Roman Shades



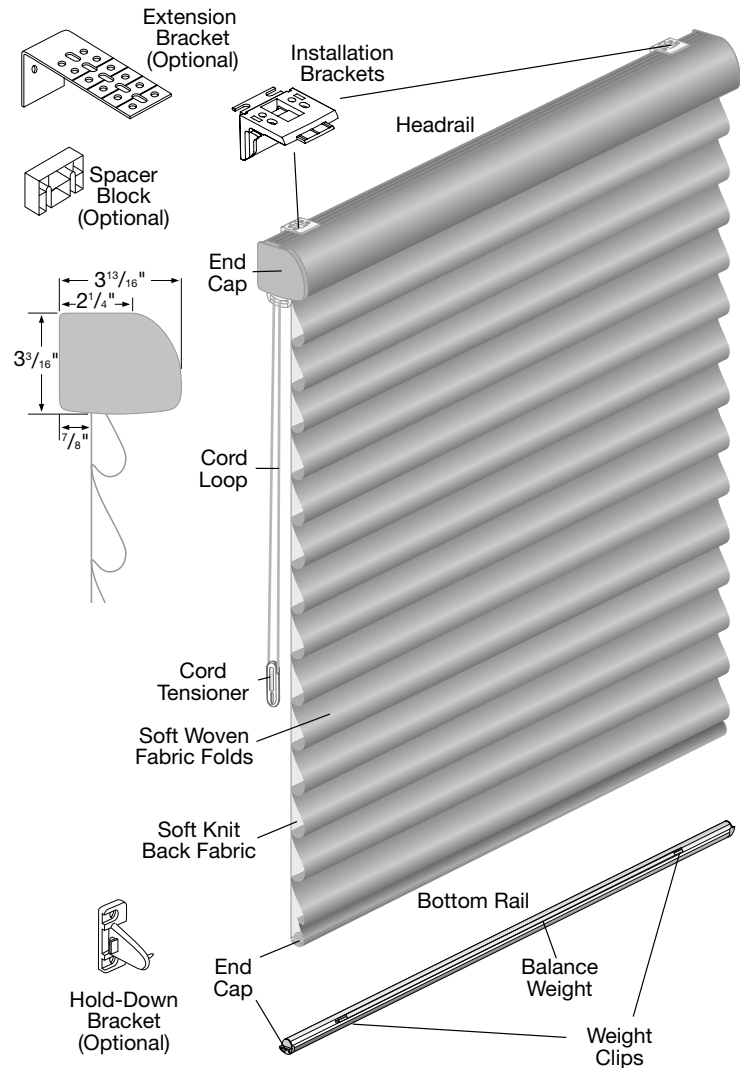
EasyRise™ Traditional And Tailored Rectangular Shades

HunterDouglas

THANK YOU for purchasing a Hunter Douglas product. Your new shade has been custom built for you from the highest quality materials. Once in your window, it will provide you with a lifetime of beauty and trouble-free use.

Getting Started

- Remove the shade from the package. Keep the packaging until the shade operates to your satisfaction.
- Check the diagram to make sure you have the necessary parts.

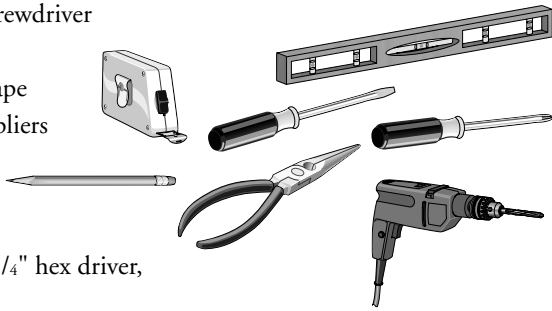


For assistance, call the Hunter Douglas
Customer Information Center
at 1-888-501-8364




Visit our Web site at hunterdouglas.com

Tools needed for installing your Vignette® shade:

- Flat blade screwdriver
- Level
- Measuring tape
- Needlenose pliers
- Pencil
- Phillips Screwdriver
- Power drill, 1/4" hex driver, and drill bits



In addition, you will need fasteners designed to work with your specific mounting surfaces:

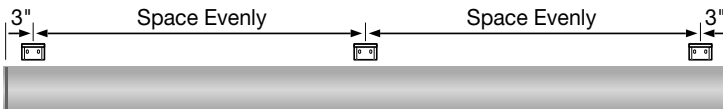
Mounting Surface	Fastener
Wood	No. 6 Hex Head Screws (Provided) 
Drywall, Plaster	Wall Anchors, Expansion Bolts (Not Provided) 
Metal	Sheet Metal Screws (Not Provided) 

Contents of the hardware package may vary depending upon how the shade was ordered and whether it will be inside or outside mounted.

1 Mount The Installation Brackets

Bracket Placement

- Measure 3" in from the ends of the headrail and mark the bracket location on the mounting surface.
- Bracket placement is the same for inside and outside mounts.



Shading Width	Brackets Required
12" - 36"	2
36 1/8" - 72"	3
72 1/8" - 96"	4

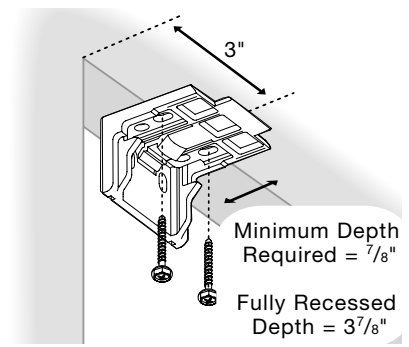
Inside Mount Applications

Bracket Installation

Before you begin, remove the tab on the back of the installation brackets or leave it attached for 1/2" of spacing. You can also use the tabs to shim the installation brackets.

NOTE: Do not mount any installation brackets over the seam of a fabric-covered headrail. Offset brackets by at least 3".

- Center each bracket over a mark on the mounting surface.
- The depth required for inside mounts depends upon the application. Adjust bracket placement to accommodate any obstructions to the bottom rail, such as window cranks or handles.
- Check that all brackets are level and their front edges aligned. Attach using two screws.



NOTE: Make sure the installation brackets are positioned so the headrail can be fully engaged and locked into the mounting brackets.

Outside Mount Applications

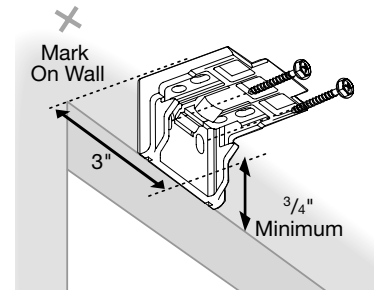
The outside mount minimum height measurement is 3/4".

Before you begin, remove the tab on the back of the installation brackets. You can use the tabs to shim the installation brackets, if necessary.

Bracket Installation

NOTE: Do not mount any installation brackets over the seam of a fabric-covered headrail. Offset brackets by at least 3".

- Center the shade over the window and mark the ends of the headrail.
- Measure 3" in from the marks on the wall and mark the bracket locations.
- Center each bracket over a bracket mark on the mounting surface.
- Adjust bracket position to accommodate any obstructions to the bottom rail, such as window cranks or handles.
- Check that all brackets are level and their tops are aligned. Attach using two screws.

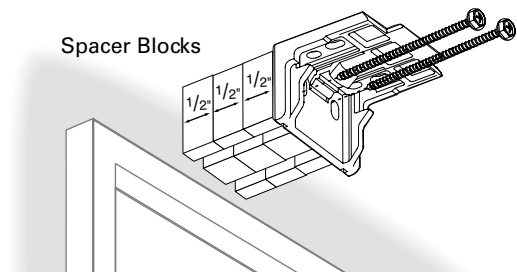


NOTE: Make sure the installation brackets are positioned so the headrail can be fully engaged and locked into the mounting brackets. If necessary, use shims to create clearance for proper installation.

Spacer Blocks (Optional)

Each spacer block projects brackets 1/2" from the mounting surface.

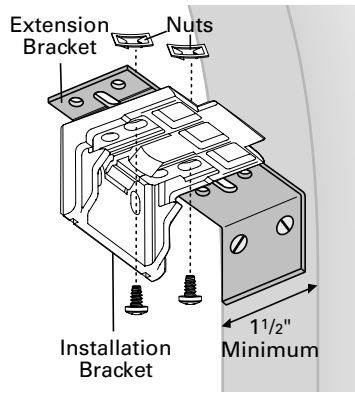
- Mount spacer blocks with the solid side facing the mounting surface.
- Attach with two screws (not included) long enough to secure the bracket to the mounting surface.
- Use a maximum of three spacer blocks per bracket.



End Mount Applications

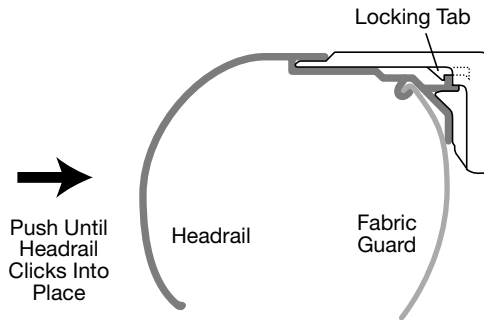
End mount the headrail when conventional mounting techniques will not work; for example, in an arched window.

- Mount the extension brackets on a surface at least 1½" wide.
- Attach the installation brackets to the extension brackets using the machine screws and nuts provided.



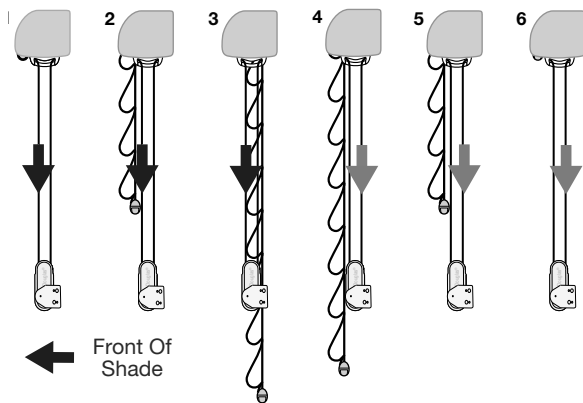
2 Install The Shade

- Hold the shade so the front (curved side) faces you.
- Push the top edge of the headrail into the installation bracket until it snaps into place. You will hear a click when the shade is securely installed.
- Gently pull on the front of the headrail to ensure that the shade is locked into the brackets.



3 Operate The Shade

- Pull the front cord of the cord loop to lower the shade.
- With the shade fully lowered, continue to pull the front cord to shift the shade fabric back to within 7/8" of the mounting surface.
- Pull the rear cord of the cord loop to raise the shade.



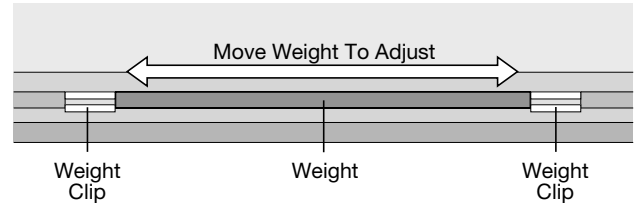
4 Adjust The Shade

Test The Shade

- Lower the shade and then slowly raise it.
- If the fabric rolls unevenly or rubs against the headrail, check that the headrail is level. Level, if necessary.
- If the headrail is level, adjust the bottom rail weight.

Adjust The Bottom Rail Weight

- Access the bottom rail weight from the back of the shade.
- Push up on the weight clips to release. Slide the clips and weight in 1" increments toward the side where the fabric is gathering.

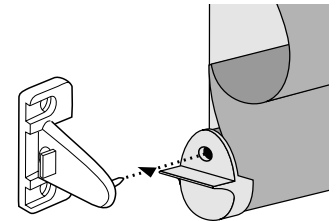


- After adjustment, slide the weight clips back into place. Test and, if necessary, adjust again.

Attach The Hold-Down Brackets (Optional)

Hold-down brackets may be used with outside mount shades only.

- With the shade fully lowered, insert the pin on the hold-down bracket into the hole on the bottom rail end cap.
- Mark the mounting hole locations on the mounting surface.
- Center the hold-down brackets over the mounting hole locations and check their alignment. Attach using two screws.

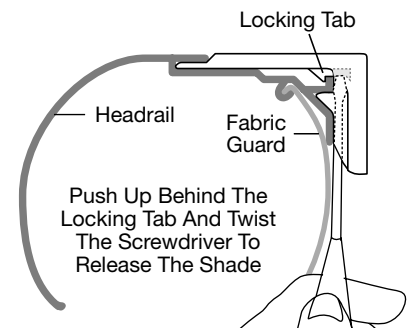


NOTE: Disconnect the bottom rail from the hold-down brackets to raise the shade.

5 Remove The Shade

- Fully raise the shade.
- Use a flat blade screwdriver to release the locking tab on the mounting brackets and remove the shade from the brackets.

NOTE: On longer shades, you might need to lower the shade slightly to access the locking tab.



6 Care And Cleaning

Vignette® Modern Roman Shades are made from an anti-static, dust-resistant fabric which repels dirt and dust. The following options are available if your shade becomes wrinkled or dirty.

Steaming

Steam the face fabric from the bottom to the top, making sure to get steam under each fabric fold. Be careful not to saturate the fabric with steam. Allow the shade to dry completely before raising it.

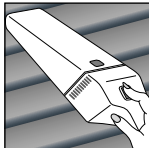
CAUTION: Do not steam the headrail fabric on fabric-covered headrails.

Dusting

Regular light dusting with a feather duster is all the cleaning needed in most circumstances.

Vacuuming

Use a hand-held vacuum with low suction for more thorough dust removal.



Forced Air

Blow dirt and debris from within the fabric folds using clean, compressed air or a hair dryer set on a cool setting.

Spot-Cleaning

- Prepare a solution of warm water and mild detergent.
- Dampen a clean cloth in the solution and wring it out.
- Place a dry, clean cloth behind the spot between the face fabric and the back fabric.
- Dab the spot with the dampened cloth until it is gone. Do not rub the fabric.
- Rubbing alcohol or non-oil-based baby wipes may be used on more stubborn stains.
- Allow the shade to dry in the completely lowered position.

Injection/Extraction Cleaning

Both Vignette Modern Roman Shades and EveScape™ room-darkening shades can be cleaned by a professional using the injection/extraction method of deep cleaning.

- Specify the dry cleaning method only.
- Pretreat heavy stains.
- Allow the shade to dry in the completely lowered position.

CAUTION: Do not use the injection/extraction method of deep cleaning on the headrail fabric of fabric-covered headrails.

Ultrasonic Cleaning

Both Vignette Modern Roman Shades and EveScape room-darkening shades can be ultrasonically cleaned by a professional.

- Specify that a mild detergent solution be used.
- Never immerse the headrail in the solution.
- Allow the shade to dry in the completely lowered position.

CAUTION: Do not ultrasonically clean the headrail fabric on fabric-covered headrails.

For more comprehensive cleaning instructions, call the Hunter Douglas Customer Information Center toll free at:

1-888-501-8364

A Note On Textiles

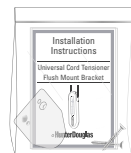
As with all textiles, the Vignette fabric is subject to some inherent variations. Slight dye-lot variations, puckering, or wrinkling are within textile industry standards and should be considered normal. Additionally, there will be slight differences in pattern alignment between the fabric on the headrail and the shade, which do not detract from the product's appeal.

7 Child Safety

! WARNING

To avoid entanglement and strangulation, keep cords out of the reach of young children. Also:

- Move cribs and furniture away from the shade cords.
- Install the enclosed safety cord tensioning device to reduce access to the cords. Installation instructions and components required for securing the cord tensioner are included with each shade.



8 Troubleshooting

Problem	Solution
The shade is hard to raise or lower, or will not raise or lower.	<ul style="list-style-type: none"> • Check for clearance between the ends of the shade and the window casement on inside mounts. • Check that the mounting brackets are level. Shim to level, if necessary. • If hold-down brackets are used, make sure they have been released. • Make sure the fabric is not caught.
The shade raises or lowers unevenly, or the bottom rail is uneven when fully raised.	<ul style="list-style-type: none"> • Check that the window is square by measuring the diagonals. • Check that the headrail is level. Shim the mounting brackets to level, if necessary. • Adjust the bottom rail weight following the instructions in Step 4. • Knock off the high points of the wall texture if it is interfering with bracket installation.
The shade will not snap into the mounting brackets.	<ul style="list-style-type: none"> • Check that the mounting brackets are aligned and level. • Check that the headrail is completely inserted into the mounting brackets. See Step 2.
The front fabric appears to cling to the back fabric.	<ul style="list-style-type: none"> • Lightly apply a static spray for home furnishings. Follow the manufacturer's directions. • Allow the shade to dry in the fully lowered position. • If necessary, reapply the static spray each time the shade is professionally cleaned.



HunterDouglas

LIGHT CAN CHANGE EVERYTHING™

hunterdouglas.com

© 1991, 2006 Hunter Douglas Inc. ® Registered trademark of Hunter Douglas Inc.
 ™ Trademark of Hunter Douglas Inc.
 Patented in the U.S. and foreign countries. Other U.S. and foreign patents pending.



PCN 5105283000

Rev. 5/06