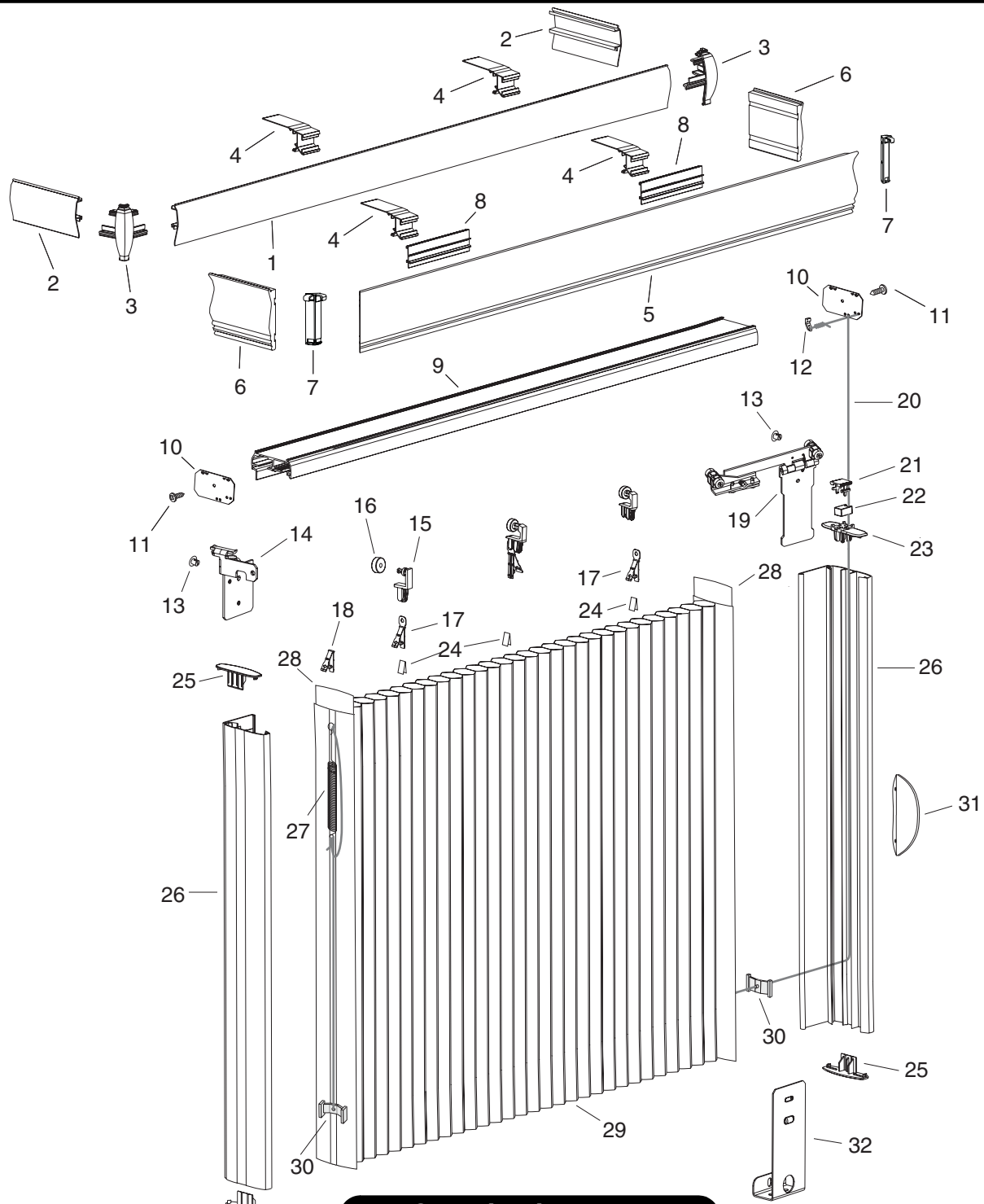


Applause® with Vertiglide™ Side Stack



Standard Parts

- | | | | |
|----------------------------|--------------------------------|------------------------------|------------------------------------|
| 1. Aluminum Valance | 9. Top Rail | 17. Fabric Carrier | 25. White End Cap |
| 2. Aluminum Valance Return | 10. End Plate | 18. Fabric Carrier (Trimmed) | 26. Vertical Rail |
| 3. Valance Corner End Cap | 11. Vertiglide™ Screw | 19. Moving Bracket Assembly | 27. Vertiglide™ Spring |
| 4. Valance Mounting Clips | 12. Vertiglide™ Cord Tensioner | 20. Cord | 28. Filler Strip |
| 5. Faux Wood Valance | 13. Rail Hanger Snap Pin | 21. Magnet Cap | 29. Fabric |
| 6. Faux Wood Return | 14. Stationary Rail Bracket | 22. Magnet | 30. Cord Guide |
| 7. Faux Wood Corner Clips | 15. Rail Carrier | 23. Cord Guide End Cap | 31. Handle with Screws |
| 8. Dovetail Bracket | 16. Fabric Carrier Bearing | 24. Fabric Reinforcer | 32. Stationary Rail Bottom Bracket |

Applause® with Vertiglide™ Side Stack

No.	PCN	Description
1.	2990855785	Aluminum Valance
2.	2990855785	Aluminum Valance Return
3.	2990864785	Valance Corner End Cap
4.	2990926000	Valance Mounting Clip – ¾"
	2990927000	Valance Mounting Clip – 1¼"
5.	7005299973	Faux Wood Valance
6.	7005299973	Faux Wood Return
7.	7007443000	Faux Wood Corner Clips
8.	2990928000	Dovetail Bracket
9.	2991906785	Top Rail
10.	2990923785	End Plate
11.	2980116000	Vertiglide™ Screw
12.	2990865000	Vertiglide™ Cord Tensioner
13.	2980114000	Rail Hanger Snap Pin
14.	2999241000	Stationary Rail Bracket, RH
	2999242000	Stationary Rail Bracket, LH
15.	2990915000	Rail Carrier – ¾"
	2990916000	Rail Carrier – 1¼"
16.	2980106000	Fabric Carrier Bearing (Roller)
17.	2990848000	Fabric Carrier
18.	2990848000	Fabric Carrier (Trimmed)
19.	2990930000	Moving Bracket Assembly RH
	2990931000	Moving Bracket Assembly LH
20.	5009085959	1.2 mm Cord
21.	2990919000	Magnet Cap
22.	2990100000	Magnet
23.	2990917000	Cord Guide End Cap – ¾"
	2990918000	Cord Guide End Cap – 1¼"
24.	2990933000	Fabric Reinforcer
25.	2990860785	White End Cap – ¾"
	2990861785	White End Cap – 1¼"
26.	2990856785	Vertical Rail – ¾"
	2990857785	Vertical Rail – 1¼"
27.	2980115000	Vertiglide™ Spring
28.	2974000000	¾" Filler Strip
	2971311000	1¼" Filler Strip
29.	N/A	Fabric D2, D13, D14, D15, D17, D19 & E6 ¾" Semi-Opaque D7 ¾" Opaque D8 & D9 ¾" Sheer D10 1¼" Semi-Opaque D12 1¼" Opaque E3 ¾" Blackout
30.	2950100000	Cord Guide
31.	2990862785	Handle with Screws
32.	2980105000	Stationary Rail Bottom Bracket

Additional Hardware:

(For pictures & specifics, see Applause® Specialty Hardware Systems Additional Hardware)

2990934000	Vertiglide™ Installation Bracket
2930340000	Extension Bracket
2980297000	Inside Mount Adaptor Bracket