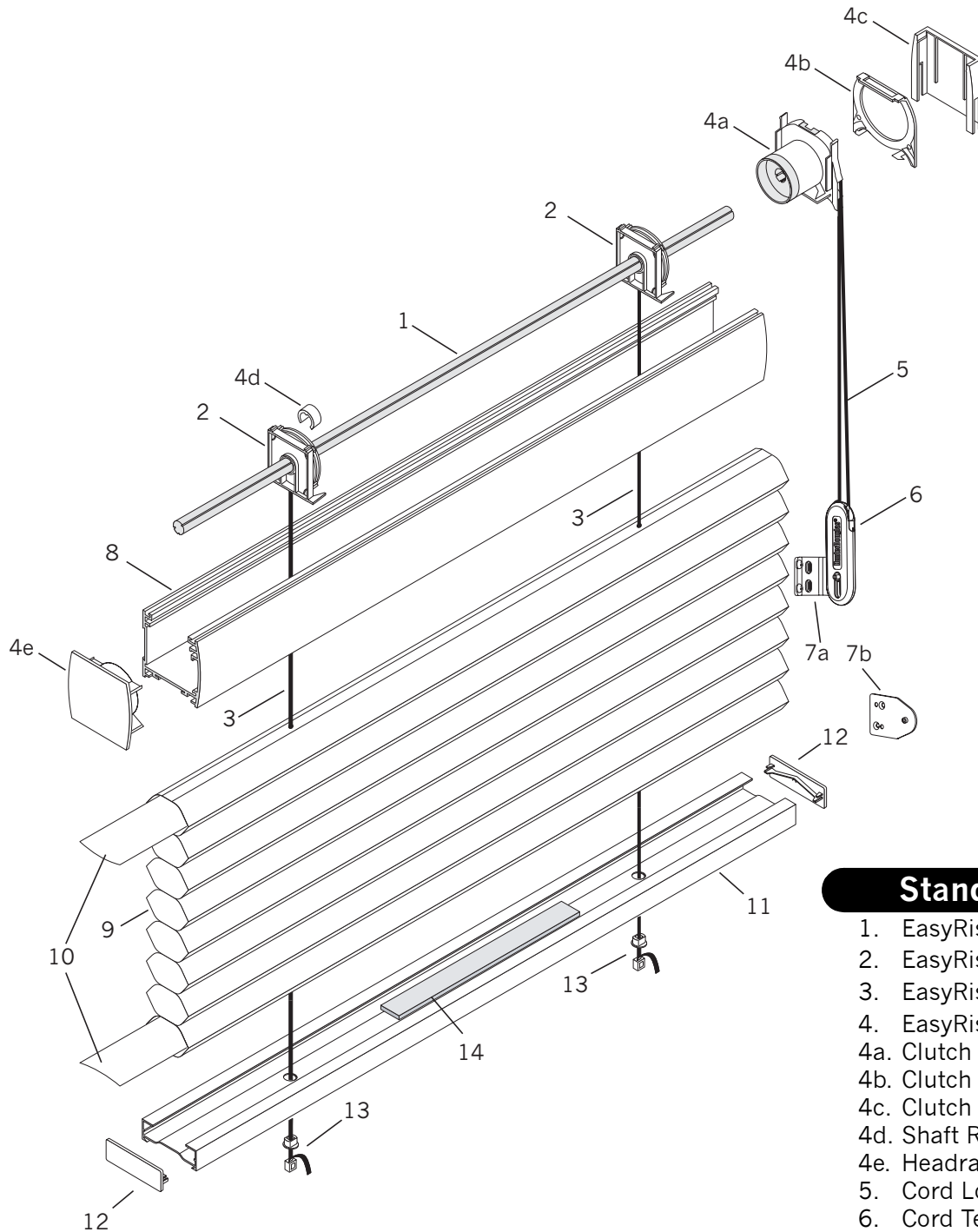


Applause® with EasyRise™ Standard



Standard Parts

1. EasyRise™ Shaft
2. EasyRise™ Lift Set
3. EasyRise™ Tape
4. EasyRise™ Clutch Set
- 4a. Clutch
- 4b. Clutch Cover
- 4c. Clutch End Cap
- 4d. Shaft Retainer
- 4e. Headrail End Cap
5. Cord Loop
6. Cord Tensioner
- 7a. Cord Tensioner Mounting Kit
- 7b. Cord Tensioner Mounting Kit - Flush
8. EasyRise™ Headrail
9. Fabric
10. Filler Strip
11. Bottom Rail
12. Bottom Rail End Cap
13. Pocket & Buckle
14. Rail Weight*

Applause® with EasyRise™ Standard

No.	PCN	Description
1.	2980060000	EasyRise™ Shaft
2.	2980025000	EasyRise™ Lift Set
3.	2980062000	EasyRise™ Tape
4.	2980022785	EasyRise™ Clutch Set
4a.	N/A	Clutch
4b.	N/A	Clutch Cover
4c.	N/A	Clutch End Cap
4d.	N/A	Shaft Retainer
4e.	N/A	Headrail End Cap
5.	4190020xxx	Cord Loop (2')
	4190030xxx	Cord Loop (3')
	4190040xxx	Cord Loop (4')
	4190050xxx	Cord Loop (5')
6.	4153028xxx	Cord Tensioner
7a.	4153052000	Cord Tensioner Mounting Kit
7b.	4154898000	Cord Tensioner Mounting Kit (Flush Mount)
8.	2981009785	EasyRise™ Headrail
9.	N/A	Fabric (¾" & Double Honeycomb)
10.	2974000000	Filler Strip (¾" & Double Honeycomb)
11.	2970010xxx	Bottom Rail (¾" & Double Honeycomb)
12.	2970020xxx	Bottom Rail End Cap (¾" & Double Honeycomb)
13.	2980078785	Pocket & Buckle
14.	2982028000	Rail Weight (*used only if needed)

Additional Hardware:

(For pictures & specifics, see Applause® Easy-Lifting Systems Additional Hardware)

2980021000	Installation Bracket (¾")
5007312000	Hold-Down Bracket (¾")
2930230000	Spacer Block
2930340000	Extension Bracket

xxx = 3-digit color code